

IS : 11229 - 1985

Indian Standard

REAFFIRMED

SPECIFICATION FOR
SHEAR BOX FOR TESTING OF SOILS

UDC 624.131.439.5 : 620.1.05



© Copyright 1985

INDIAN STANDARDS INSTITUTION
MANAK BHAVAN, 9 BAHADUR SHAH ZAFAR MARG
NEW DELHI 110002

Indian Standard

SPECIFICATION FOR SHEAR BOX FOR TESTING OF SOILS

Soil Engineering Sectional Committee, BDG 23

<i>Chairman</i>	<i>Representing</i>
SHRI SHAMSHER PRAKASHI	Central Building Research Institute (CSIR), Roorkee
<i>Members</i>	
PROF ALAM SINGH	University of Jodhpur, Jodhpur
SHRI B. ANJIAH	Engineering Research Laboratories, Government of Andhra Pradesh, Hyderabad
CHIEF ENGINEER (IPRI)	Irrigation Department, Government of Punjab, Chandigarh
DIRECTOR (DAM) (<i>Alternate</i>)	
SHRI C. S. DABKE	Howe (India) Pvt Ltd, New Delhi
SHRI G. V. MURTHY (<i>Alternate</i>)	
SHRI A. G. DASTIDAR	In personal capacity (5 Hungerford Court, 12/1, Hungerford Street, Calcutta)
DIRECTOR (D&QPC)	Public Works Department, Government of Uttar Pradesh, Lucknow
DEPUTY DIRECTOR (B&SD) (<i>Alternate</i>)	
DIRECTOR, IRI	Irrigation Department, Government of Uttar Pradesh, Roorkee
SHRI A. H. DIVANJI	Asia Foundations and Construction (P) Ltd, Bombay
SHRI A. N. JANGLE (<i>Alternate</i>)	
DIRECTOR	Central Soil & Materials Research Station, New Delhi
DEPUTY DIRECTOR (<i>Alternate</i>)	
DR GOPAL RANJAN	University of Roorkee, Roorkee; and Institute of Engineers (India), Calcutta
SHRI S. GUPTA	Cemindia Company Limited, Bombay
SHRI N. V. DE-SOUSA (<i>Alternate</i>)	
SHRI M. IYENGAR	Engineers India Limited, New Delhi
SHRI ASHOK K. JAIN	G. S. Jain and Associates, New Delhi
SHRI VIJAY K. JAIN (<i>Alternate</i>)	
JOINT DIRECTOR RESEARCH	Ministry of Railways
(GE)-I, RDSO	
JOINT DIRECTOR RESEARCH	
(GE)-II, RDSO (<i>Alternate</i>)	

(Continued on page 2)

© Copyright 1985

INDIAN STANDARDS INSTITUTION

This publication is protected under the *Indian Copyright Act* (XIV of 1957) and reproduction in whole or in part by any means except with written permission of the publisher shall be deemed to be an infringement of copyright under the said Act.

(Continued from page 1)

Members

SHRI A. V. S. R. MURTY
SHRI D. R. NARAHARI
SHRI T. K. NATRAJAN
SHRI RANJIT SINGH
SHRI V. B. GHORPADE (*Alternate*)
DR G. V. RAO
DR K. K. GUPTA (*Alternate*)
RESEARCH OFFICER (B&RRL)
SECRETARY
DIRECTOR (C) (*Alternate*)
SHRI N. SIVAGURU
SHRI U. JAYAKODI (*Alternate*)
SHRI K. S. SRINIVASAN
SHRI SUNIL BERRY (*Alternate*)
DR N. SOM
SHRI N. SUBRAMANYAM
COL R. R. SUDHINDRA
SHRI S. S. JOSHI (*Alternate*)
SUPERINTENDING ENGINEER
(P&DC)
EXECUTIVE ENGINEER (SMRD)
(*Alternate*)
SHRI H. C. VERMA
SHRI H. K. GUHA (*Alternate*)
SHRI G. RAMAN,
Director (Civ Engg)

Representing

Indian Geotechnical Society, New Delhi
Central Building Research Institute (CSIR),
Roorkee
Central Road Research Institute (CSIR),
New Delhi
Ministry of Defence (R&D)
Indian Institute of Technology, New Delhi
Public Works Department, Government of
Punjab, Chandigarh
Central Board of Irrigation and Power, New Delhi
Ministry of Shipping and Transport (Roads
Wing)
National Buildings Organization, New Delhi
Jadavpur University, Calcutta
Karnataka Engineering Research Station,
Krishnarajasagar
Ministry of Defence (Engineer-in-Chief's Branch)
Public Works Department, Government of Tamil
Nadu, Madras
All India Instrument Manufacturers' and Dealers
Association, Bombay
Director General, ISI (*Ex-officio Member*)

Secretary

SHRI K. M. MATHUR
Senior Deputy Director (Civ Engg), ISI

Soil Testing Instruments and Equipment Subcommittee, BDC 23 : 6

Convener

SHRI H. C. VERMA
Associated Instrument Manufacturers (I) Pvt
Ltd, New Delhi

Members

SHRI M. D. NAIR (*Alternate to*
Shri H. C. Verma)
SHRI AMED KRISHNA
SHRI RAKESH GOEL (*Alternate*)
Saraswati Engineering Agency, Roorkee

(Continued on page 10)

Indian Standard

SPECIFICATION FOR
SHEAR BOX FOR TESTING OF SOILS

0. FOREWORD

0.1 This Indian Standard was adopted by the Indian Standards Institution on 25 January 1985, after the draft finalized by the Soil Engineering Sectional Committee had been approved by the Civil Engineering Division Council.

0.2 The Indian Standards Institution has already published a series of standard on methods of testing soils. It has been recognized that reliable and intercomparable test results can be obtained only with standard testing equipment capable of giving the desired level of accuracy. The Sectional Committee has, therefore, decided to bring out a series of specifications covering the requirements of equipment used for testing soils to encourage its development and manufacture in the country.

0.3 The equipment covered in this standard is used as a part of the assembly for the equipment used for the determination of shear strength of the soil covered in IS : 2720 (Part 13)*.

0.4 In reporting the result of a test or analysis made in accordance with this standard, if the final value, observed or calculated, is to be rounded off, it shall be done in accordance with IS : 2-1960†.

1. SCOPE

1.1 This standard covers specification for shear box used as a assembly for the determination of shear strength of the soil with a maximum particle size of 4.75 mm.

*Methods of test for soils : Part 13 Direct shear test.

†Rules for rounding off numerical values (revised).

2. GENERAL REQUIREMENTS

2.1 The shear box shall consist of the following (see Fig. 1):

- a) Upper and lower parts of shear box coupled together with two pins,
- b) Grid plates — 2 pairs,
- c) Stone plates,
- d) Base plate,
- e) Top plate,
- f) Loading pad, and
- g) Water jacket.

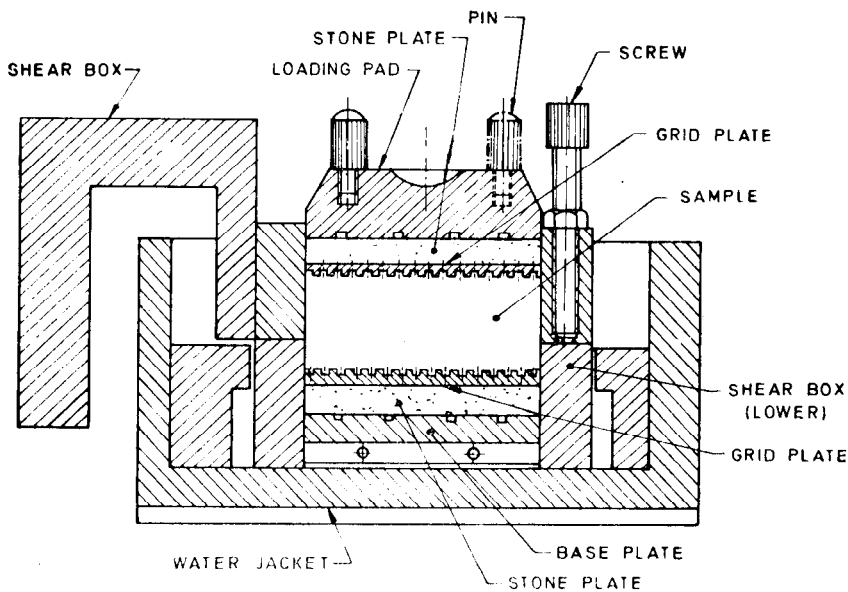


FIG. 1 SHEAR BOX ASSEMBLY

3. MATERIALS

3.1 The materials of the construction of the different components of shear box shall be as given in Table I.

**TABLE 1 MATERIAL OF CONSTRUCTION OF DIFFERENT
COMPONENT PARTS OF SHEAR BOX**

(Clause 3.1)

PART	MATERIAL	REFERENCE TO INDIAN STANDARD
Upper and lower parts of shear box coupled together with two pins	Mild steel/Brass	IS : 513-1973*/IS : 292-1983‡
Grid plates — two pairs	Mild steel/Brass	IS : 513-1973*/IS : 292-1983‡
Stone plates	Sand stone	IS : 3622-1977† of size 60 × 60 × 6 mm
Base plate	Mild steel/Brass	IS : 513-1973*/IS : 292-1983‡
Top plate	Mild steel/Brass	IS : 513-1973*/IS : 292-1983‡
Loading pad	Mild steel/Brass	IS : 513-1973*/IS : 292-1983‡
Water jacket	Mild steel/Brass	IS : 513-1973*/IS : 292-1983‡

*Specification for cold rolled carbon steel sheets (*second revision*).

†Specification for sandstone (slabs and tiles) (*first revision*).

‡Specification for brass ingots and castings (*second revision*).

4.1 The dimensions of the component parts of shear box shall be as detailed in Fig. 2 to 7. The tolerance to the dimensions shall be as given in IS : 2102 (Part 1)-1980* and shall be of medium class.

5. MARKING

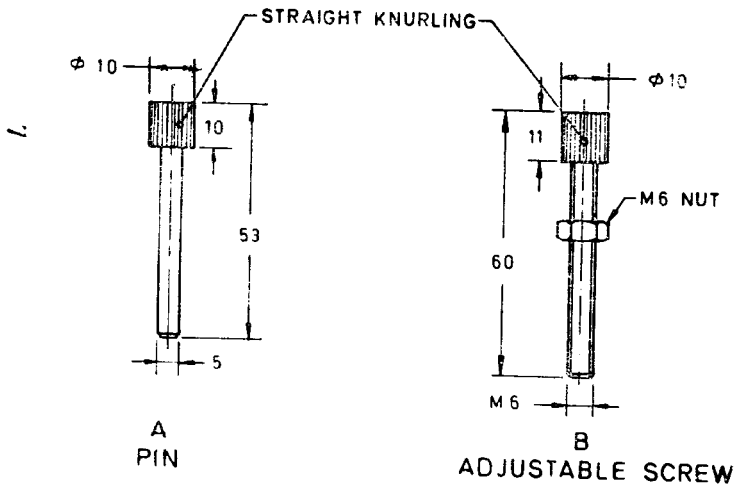
5.1 The following information shall be clearly and indelibly marked on each part of the component:

- a) Name of the manufacturer or his registered trade-mark,
- b) Type of material, and
- c) Date of manufacture.

5.1.1 The equipment may also be marked with the ISI Certification Mark.

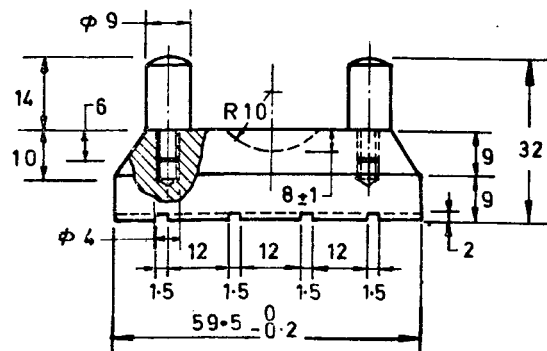
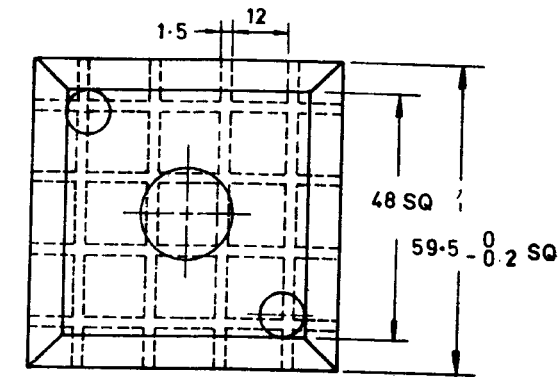
NOTE — The use of the ISI Certification Mark is governed by the provisions of the Indian Standards Institution (Certification Marks) Act and the Rules and Regulations made thereunder. The ISI Mark on products covered by an Indian Standard conveys the assurance that they have been produced to comply with the requirements of that standard under a well-defined system of inspection, testing and quality control which is devised and supervised by ISI and operated by the producer. ISI marked products are also continuously checked by ISI for conformity to that standard as a further safeguard. Details of conditions, under which a licence for the use of the ISI Certification Mark may be granted to manufacturers or processors, may be obtained from the Indian Standards Institution.

*Specification for general tolerances for dimensions and form and position : Part 1 General tolerances for linear and angular dimensions (*second revision*).



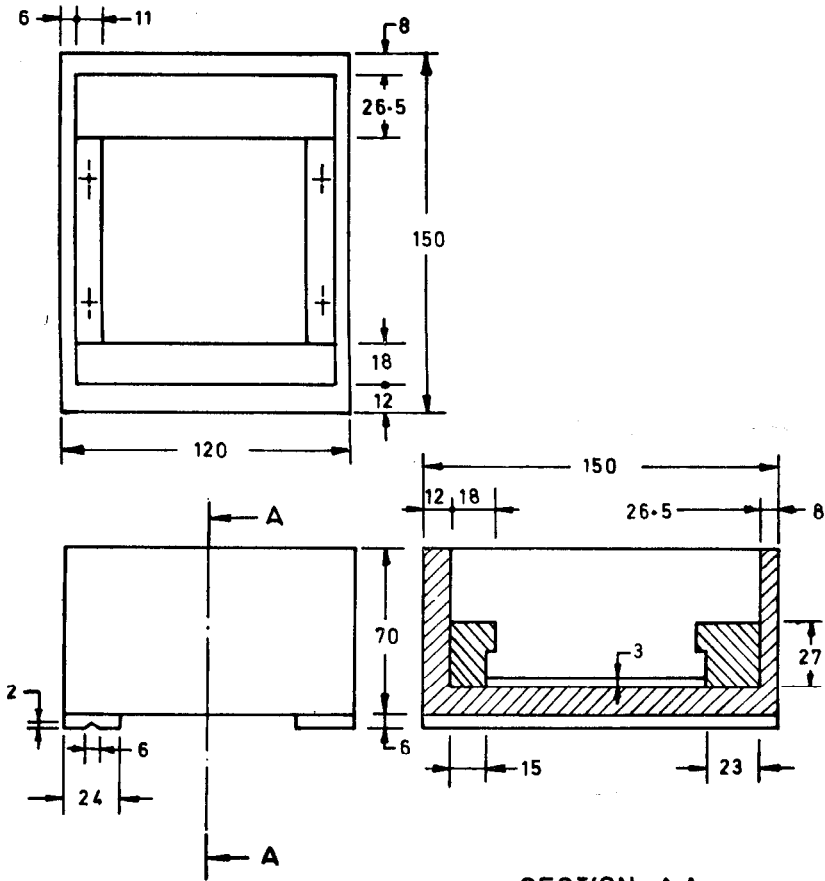
All dimensions in millimetres.

FIG. 3 SHEAR BOX—UPPER HALF



All dimensions in millimetres.

FIG. 4 LOADING PAD



SECTION A A

All dimensions in millimetres.

FIG. 7 WATER JACKET

(Continued from page 2)

<i>Members</i>	<i>Representing</i>
DEPUTY DIRECTOR RESEARCH (GE)-III, RDSO	Ministry of Railways
JOINT DIRECTOR RESEARCH (GE)-II, RDSO (Alternate)	
DIRECTOR (CSMRS)	Central Soil & Materials Research Station, New Delhi
DEPUTY DIRECTOR (CSMRS) (Alternate)	
SHRI H. K. GUHA	Geologists Syndicate Pvt Ltd, Calcutta
SHRI A. BHATTACHARYA (Alternate)	
DR S. C. HANDA	University of Roorkee, Roorkee
SHRI P. K. JAIN (Alternate)	
SHRI VIJAY K. JAIN	G. S. Jain Associates, New Delhi
DR B. R. MALHOTRA	Central Road Research Institute (CSIR), New Delhi
SHRI S. K. MITRA	K. N. Dadina Foundation Engineers, Calcutta
BRIG M. K. PAUL	Ministry of Defence
SHRI M. P. SHUKLA (Alternate)	
DR T. RAMAMURTHY	Indian Institute of Technology, Delhi
DR G. V. RAO (Alternate)	
SHRI RESHAM SINGH	Hydraulic & Engineering Instruments Company, New Delhi
SHRI JATINDER SINGH (Alternate)	
SHRI S. VENKATESAN	Central Building Research Institute (CSIR), Roorkee
SHRI M. R. SONEJA (Alternate)	