

IS : 11209 - 1985

Indian Standard **REAFFIRMED** = 335

SPECIFICATION FOR
MOULD ASSEMBLY FOR DETERMINATION OF
PERMEABILITY OF SOILS

UDC 624.113.433



© Copyright 1985

INDIAN STANDARDS INSTITUTION
MANAK BHAVAN, 9 BAHADUR SHAH ZAFAR MARG
NEW DELHI 110002

Indian Standard

SPECIFICATION FOR MOULD ASSEMBLY FOR DETERMINATION OF PERMEABILITY OF SOILS

Soil Engineering Sectional Committee, BDC 23

<i>Chairman</i>	<i>Representing</i>
SHRI SHAMSHER PRAKASHI	Central Building Research Institute (CSIR), Roorkee
<i>Members</i>	
PROF ALAM SINGH SHRI B. ANJIAH	University of Jodhpur, Jodhpur Engineering Research Laboratories, Government of Andhra Pradesh, Hyderabad
CHIEF ENGINEER (IPRI)	Irrigation Department, Government of Punjab, Chandigarh
DIRECTOR (DAM) (<i>Alternate</i>) SHRI C. S. DABKE	Howe (India) Pvt Ltd, New Delhi
SHRI G. V. MURTHY (<i>Alternate</i>) SHRI A. G. DASTIDAR	In personal capacity (5 Hungerford Court, 12/1, Hungerford Street, Calcutta)
DIRECTOR (D&QPC)	Public Works Department, Government of Uttar Pradesh, Lucknow
DEPUTY DIRECTOR (B&SD) (<i>Alternate</i>) DIRECTOR, IRI	Irrigation Department, Government of Uttar Pradesh, Roorkee
SHRI A. H. DIVANJI	Asia Foundations and Construction (P) Ltd, Bombay
SHRI A. N. JANGLE (<i>Alternate</i>) DIRECTOR	Central Soil & Materials Research Station, New Delhi
DEPUTY DIRECTOR (<i>Alternate</i>) DR GOPAL RANJAN	University of Roorkee, Roorkee; and Institute of Engineers (India), Calcutta
SHRI S. GUPTA	Cumindia Company Limited, Bombay
SHRI N. V. DE-SOUSA (<i>Alternate</i>) SHRI M. IYENGAR	Engineers India Limited, New Delhi
SHRI ASHOK K. JAIN	G. S. Jain and Associates, New Delhi
SHRI VIJAY K. JAIN (<i>Alternate</i>)	

(Continued on page 2)

© Copyright 1985

INDIAN STANDARDS INSTITUTION

This publication is protected under the *Indian Copyright Act* (XIV of 1957) and reproduction in whole or in part by any means except with written permission of the publisher shall be deemed to be an infringement of copyright under the said Act.

IS : 11209 - 1985

(Continued from page 1)

<i>Members</i>	<i>Representing</i>
JOINT DIRECTOR RESEARCH (GE)-I, RDSO	Ministry of Railways
JOINT DIRECTOR RESEARCH (GE)-II RDSO (<i>Alternate</i>)	
SHRI A. V. S. R. MURTY	Indian Geotechnical Society, New Delhi
SHRI D. R. NARAHARI	Central Building Research Institute (CSIR), Roorkee
SHRI T. K. NATRAJAN	Central Road Research Institute (CSIR), New Delhi
SHRI RANJIT SINGH	Ministry of Defence (R&D)
SHRI V. B. GHORPADE (<i>Alternate</i>)	
DR G. V. RAO	Indian Institute of Technology, New Delhi
DR K. K. GUPTA (<i>Alternate</i>)	
RESEARCH OFFICER (B&RRL)	Public Works Department, Government of Punjab, Chandigarh
SECRETARY	Central Board of Irrigation and Power, New Delhi
DIRECTOR (C) (<i>Alternate</i>)	
SHRI N. SIVAGURU	Roads Wing (Ministry of Shipping and Transport), New Delhi
SHRI U. JAYAKODI (<i>Alternate</i>)	
SHRI K. S. SRINIVASAN	National Buildings Organization, New Delhi
SHRI SUNIL BERRY (<i>Alternate</i>)	
DR N. SOM	Jadavpur University, Calcutta
SHRI N. SUBRAMANYAM	Karnataka Engineering Research Station, Krishnarajasagar
COL R. R. SUBHINDRA	Ministry of Defence (Engineer-in-Chief's Branch)
SHRI S. S. JOSHI (<i>Alternate</i>)	
SUPERINTENDING ENGINEER (P&DC)	Public Works Department, Government of Tamil Nadu, Madras
EXECUTIVE ENGINEER (SMRD) (<i>Alternate</i>)	
SHRI H. C. VERMA	All India Instrument Manufacturers' and Dealers Association, Bombay
SHRI H. K. GUHA (<i>Alternate</i>)	
SHRI G. RAMAN, Director (Civ Engg)	Director General, ISI (<i>Ex-officio Member</i>)
	<i>Secretary</i>
	SHRI K. M. MATHUR
	Senior Deputy Director (Civ Engg), ISI

Soil Testing Instruments and Equipment Subcommittee, BDC 23 : 6

<i>Convener</i>	
SHRI H. C. VERMA	Associated Instrument Manufacturers (I) Pvt Ltd, New Delhi
	<i>Members</i>
SHRI M. D. NAIR (<i>Alternate to Shri H. C. Verma</i>)	
SHRI AMED KRISHNA	Saraswati Engineering Agency, Roorkee
SHRI RAKESH GOEL (<i>Alternate</i>)	

(Continued on page 3)

Indian Standard

SPECIFICATION FOR MOULD ASSEMBLY FOR DETERMINATION OF PERMEABILITY OF SOILS

0. FOREWORD

0.1 This Indian Standard was adopted by the Indian Standards Institution on 25 January 1985 after the draft finalized by the Soil Engineering Sectional Committee had been approved by the Civil Engineering Division Council.

0.2 The Institution has already published a series of Indian Standards on methods of testing soils. It has been recognized that reliable and intercomparable test results can be obtained only with standard testing equipment capable of giving the desired level of accuracy. The concerned Committee has, therefore, decided to bring out a series of specifications covering the requirements of equipment used for testing soils in order to encourage their development and manufacture in the country. The equipment covered in this standard is used for determination of coefficient of permeability of soils as covered in IS : 2720 (Part 17).

0.3 In reporting the result of a test or analysis made in accordance with this standard, if the final value, observed or calculated, is to be rounded off, it shall be done in accordance with IS : 2 - 1960*.

1. SCOPE

1.1 This standard covers the details of mould, drainage base, drainage cap, extension collar, metal ring and rod used as the mould assembly for laboratory determination of the coefficient of permeability of soils.

2. DIMENSIONS

2.1 Dimensions with tolerances of different component parts of the equipment shall be as given in Fig. 1 to 6. Except where tolerances are specially mentioned against the dimensions, all dimensions shall be taken as nominal and tolerances as given in IS : 2102 (Part 1)-1980† of medium class shall apply.

*Rules for rounding off numerical values (*revised*).

†General tolerances for dimensions and form and position : Part 1 General tolerances for linear and angular dimensions (*second revision*).

3. MATERIALS

3.1 The materials for construction of the various equipment parts shall be as given in Table 1.

TABLE 1 MATERIALS FOR CONSTRUCTION OF DIFFERENT EQUIPMENT PARTS

Sl No.	EQUIPMENT	MATERIAL	SPECIAL REQUIREMENTS	RELEVANT INDIAN STANDARD
i)	Mould	Brass/ Gun Metal		IS : 292-1983* IS : 318-1981†
ii)	Drainage base	Brass/ Gun Metal		IS : 292-1961* IS : 318-1981†
iii)	Drainage cap	Brass/ Gun Metal		IS : 292-1961* IS : 318-1981†
iv)	Metal ring	Brass/ Gun Metal		IS : 292-1961* IS : 318-1981†
v)	Tie rod and fly nut	Mild Steel	Nickel/ chromoplated	IS : 4367-1967‡
vi)	Extension collar	Brass/ Gun Metal		IS : 292-1961* IS : 318-1981†

*Specification for leaded brass ingots and castings (*second revision*).

†Specification for leaded tin bronze ingots and castings (*second revision*).

‡Specification for alloy and tool steel forgings for industrial use.

4. CONSTRUCTION

4.1 The mould, drainage base and cap, metal ring, tie rod, extension collar shall be constructed as per details given in Fig. 1 to 7. The complete assembly shall be leakproof and tested for an internal hydraulic pressure of 100 kPa.

5. MARKING

5.1 The following information shall be clearly and indelibly marked on each equipment:

- Name of the manufacturer or his registered trade-mark or both,
- Date of manufacture, and
- Type of material.

5.1.1 The equipment may also be marked with the ISI Certification Mark.

NOTE — The use of the ISI Certification Mark is governed by the provisions of the Indian Standards Institution (Certification Marks) Act and the Rules and Regulations made thereunder. The ISI Mark on products covered by an Indian Standard conveys the assurance that they have been produced to comply with the requirements of that standard under a well-defined system of inspection, testing and quality control which is devised and supervised by ISI and operated by the producer. ISI marked products are also continuously checked by ISI for conformity to that standard as a further safeguard. Details of conditions, under which a licence for the use of the ISI Certification Mark may be granted to manufacturers or processors, may be obtained from the Indian Standards Institution.

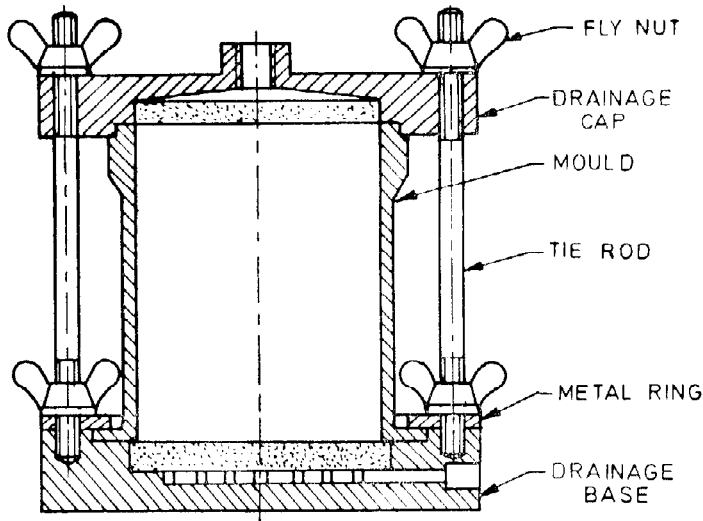
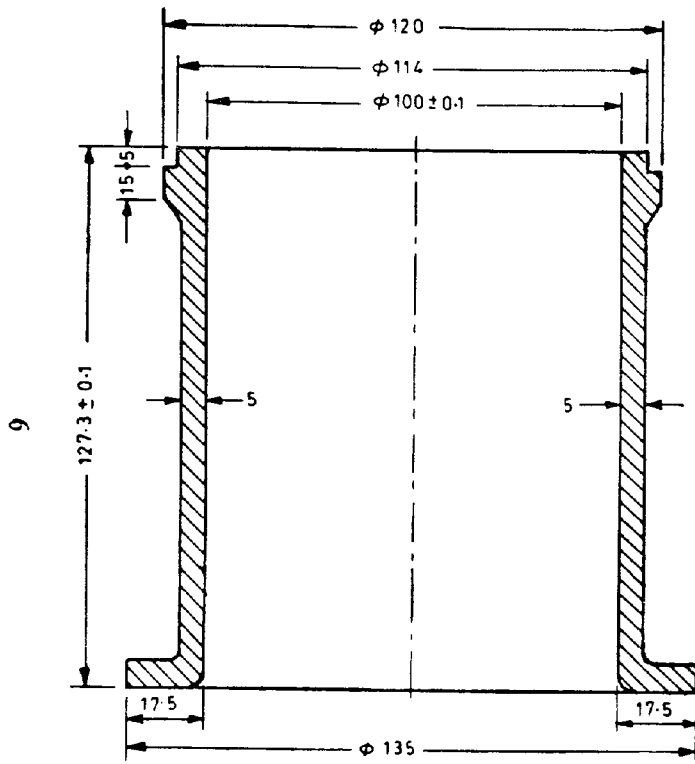
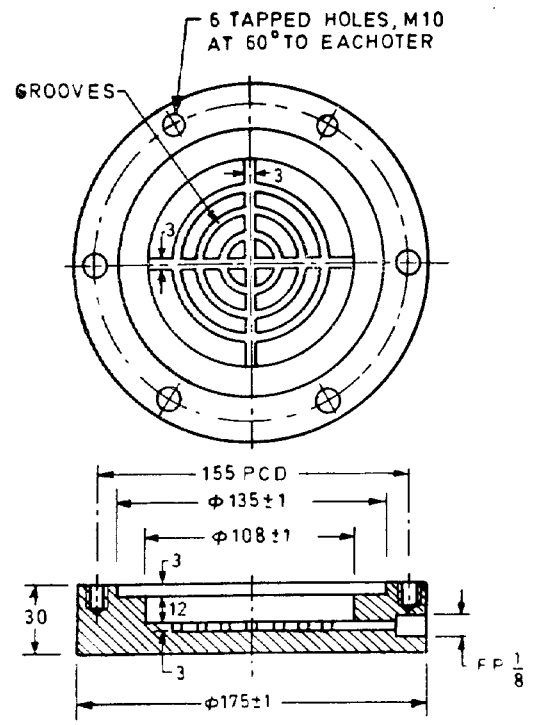


FIG. 1 PERMEABILITY CELL ASSEMBLY



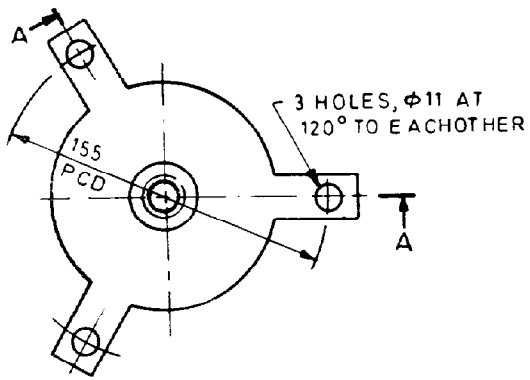
All dimensions in millimetres.

FIG. 2 MOULD

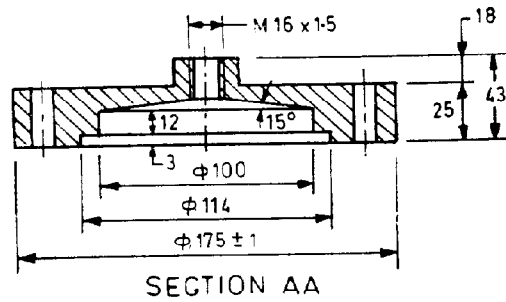


All dimensions in millimetres.

FIG. 3 DRAINAGE BASE

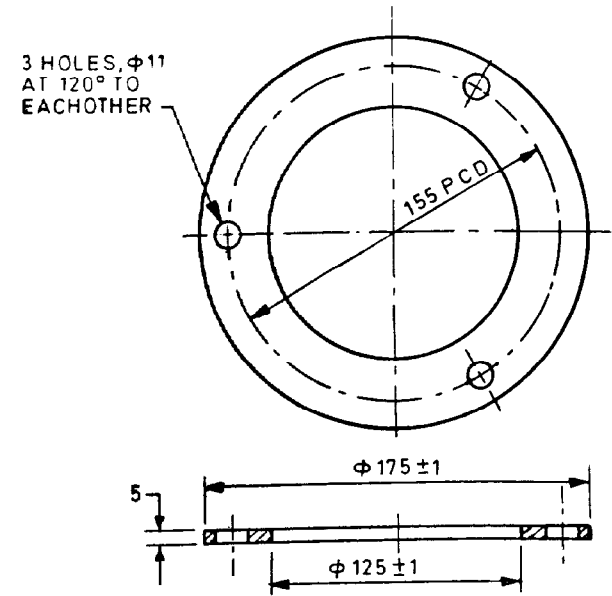


7



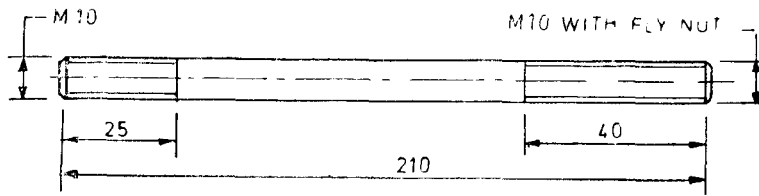
All dimensions in millimetres.

FIG. 4 DRAINAGE CAP



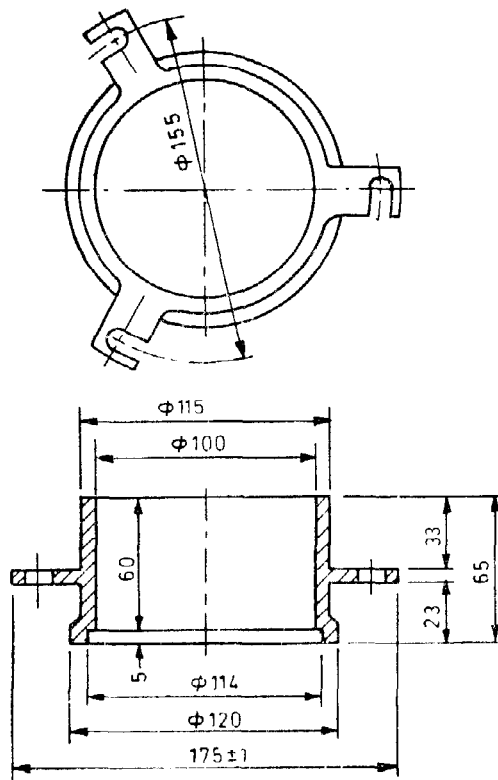
All dimensions in millimetres.

FIG. 5 METAL RING



All dimensions in millimetres.

FIG. 6 TIE ROD



All dimensions in millimetres.

FIG. 7 EXTENSION COLLAR

(Continued from page 2)

Members

Representing

DEPUTY DIRECTOR RESEARCH (GE)-III	Ministry of Railways
JOINT DIRECTOR RESEARCH (GE)-II (<i>Alternate</i>)	
DIRECTOR (CSMRS)	Central Soil & Materials Research Station, New Delhi
DEPUTY DIRECTOR (CSMRS) (<i>Alternate</i>)	
SHRI H. K. GUHA	Geologists Syndicate Pvt Ltd, Calcutta
SHRI A. BHATTACHARYA (<i>Alternate</i>)	
DR S. C. HANDA	University of Roorkee, Roorkee
SHRI P. K. JAIN (<i>Alternate</i>)	
SHRI VIJAY K. JAIN	G. S. Jain Associates, New Delhi
DR B. R. MALHOTRA	Central Road Research Institute (CSIR), New Delhi
SHRI S. K. MITRA	K. N. Dadina Foundation Engineers, Calcutta
BRIG M. K. PAUL	Ministry of Defence
SHRI M. P. SHUKLA (<i>Alternate</i>)	
DR T. RAMAMURTHY	Indian Institute of Technology, Delhi
SHRI RESHAM SINGH	Hydraulic & Engineering Instruments Company, New Delhi
SHRI JATINDER SINGH (<i>Alternate</i>)	
SHRI S. VENKATESAN	Central Building Research Institute (CSIR), Roorkee
SHRI M. R. SENEJA (<i>Alternate</i>)	

INTERNATIONAL SYSTEM OF UNITS (SI UNITS)

Base Units

<i>Quantity</i>	<i>Unit</i>	<i>Symbol</i>
Length	metre	m
Mass	kilogram	kg
Time	second	s
Electric current	ampere	A
Thermodynamic temperature	kelvin	K
Luminous Intensity	candela	cd
Amount of substance	mole	mol

Supplementary Units

<i>Quantity</i>	<i>Unit</i>	<i>Symbol</i>
Plane angle	radian	rad
Solid angle	steradian	sr

Derived Units

<i>Quantity</i>	<i>Unit</i>	<i>Symbol</i>	<i>Definition</i>
Force	newton	N	$1 \text{ N} = 1 \text{ kg.m/s}^2$
Energy	joule	J	$1 \text{ J} = 1 \text{ N.m}$
Power	watt	W	$1 \text{ W} = 1 \text{ J/s}$
Flux	weber	Wb	$1 \text{ Wb} = 1 \text{ V.s}$
Flux density	tesla	T	$1 \text{ T} = 1 \text{ Wb/m}^2$
Frequency	hertz	Hz	$1 \text{ Hz} = 1 \text{ c/s (s}^{-1}\text{)}$
Electric conductance	siemens	S	$1 \text{ S} = 1 \text{ A/V}$
Electromotive force	volt	V	$1 \text{ V} = 1 \text{ W/A}$
Pressure, stress	pascal	Pa	$1 \text{ Pa} = 1 \text{ N/m}^2$